



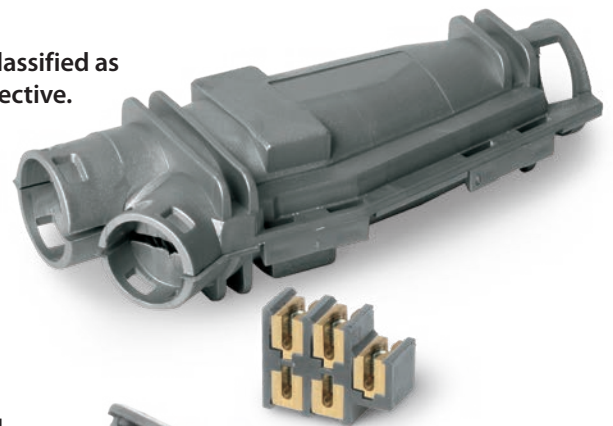
KING JOINT

Range of fast gel pre-filled straight or branch type joints for 0.6/1 kV multi core cables of up to 5 conductors.

The primary insulation, consisting of a cross-linked polymer gel and extremely strong plastic insulating housing, make the Class 2, in accordance with the definitions contained in CEI Regulation 64-8. The joint, tested in accordance with the most important international specifications with repeated bending and twisting cycles and immersion in water, was found to comply with the mechanical, electrical and sealing requirements necessary for accessories for plastic cables. The joint and its components have no self life, are chemically inert and therefore completely safe; the conductor connections are re-accessible even after long operating periods. Packaged with self-extinguishing material, it is flame retardant. Suitable for cables with a temperature of +90°C.

ADVANTAGES









- ▶ For multicore cables of up to 5 cores.
- ▶ 5 sector spacers for proper centring of five-core connection.
- ▶ Complete with screw connectors.
- ▶ For straight and branch connections, including armoured cable.
- ▶ For all types of application, including submersible.
- ▶ Re-accessible.
- ▶ Flame retardant.
- ▶ Non-toxic, safe and not classified as hazardous under CLP Directive.

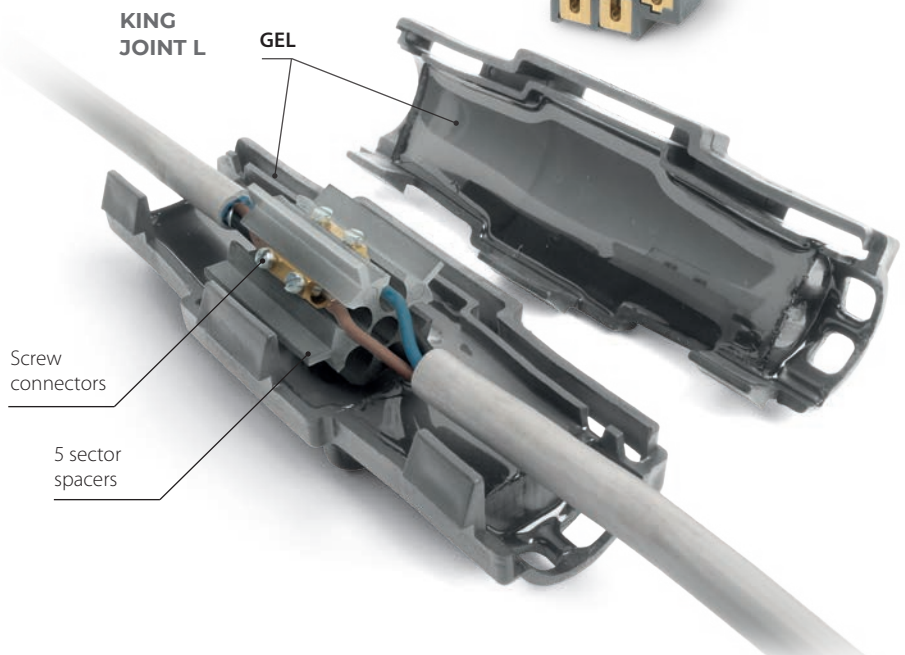


KING
JOINT Y

Electrical performance:

- CEI EN 50393
- Class 2 in accordance with CEI 64-8.

- 
Gel: UL 94-HB 
- 
Casing mix: UL 94-V2
- 
Working temperature: 90°
- 
Installation temperature: -40°C / +50°C
- 
Fully submersible
- 
Can be used underground
- 
Halogen-free Gel
- 
No flame propagation:
 CEI 20-35 • IEC 60332-1 • HD405-1
 (as applicable)
 Low smoke and toxic and
 corrosive gas emissions.
- 
Degree of protection: IPX8



KING
JOINT L

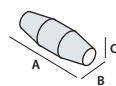
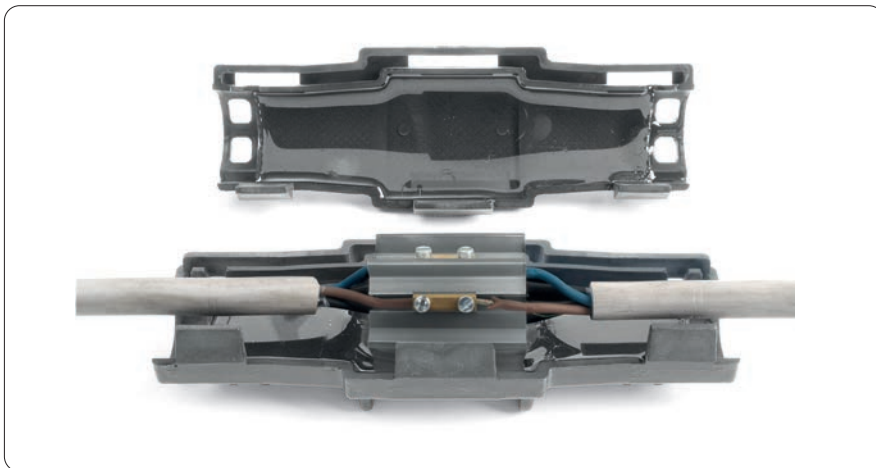
GEL

Screw
connectors

5 sector
spacers

KING JOINT L

Straight joints, including armoured cable.



| PRODUCT / Item | LINE CONNECTIONS Cable formation and conductor cross sections (n° x mm ²) | max cables Ø (mm) | Dimension (mm) |
|------------------------------------------|------------------------------------------------------------------------------------------|----------------------|----------------|
| KING JOINT 0 blister RAYJOINT0 | 2 x 1,5 - 6 | 20,5 | 105 x 55 x 55 |
| | 3 x 1,5 - 6 | | |
| | 4 x 1,5 - 6 | | |
| | 5 x 1,5 - 6 | | |
| KING JOINT L6 box RAYJOINTL6 | 2 x 1,5 - 6 | 20,5 | 105 x 55 x 55 |
| | 3 x 1,5 - 6 | | |
| | 4 x 1,5 - 6 | | |
| | 5 x 1,5 - 6 | | |



| PRODUCT / Item | LINE CONNECTIONS Cable formation and conductor cross sections (n° x mm ²) | max cables Ø (mm) | Dimension (mm) |
|-------------------------------------------|------------------------------------------------------------------------------------------|----------------------|----------------|
| KING JOINT L10 RAYJOINTL10 | 2 x 2,5 - 10 | 24 | 180 x 60 x 60 |
| | 3 x 2,5 - 10 | | |
| KING JOINT L10 - ARM RAYJL10ARM | 4 x 2,5 - 10 | 24 | 180 x 60 x 60 |
| | 5 x 2,5 - 10 | | |



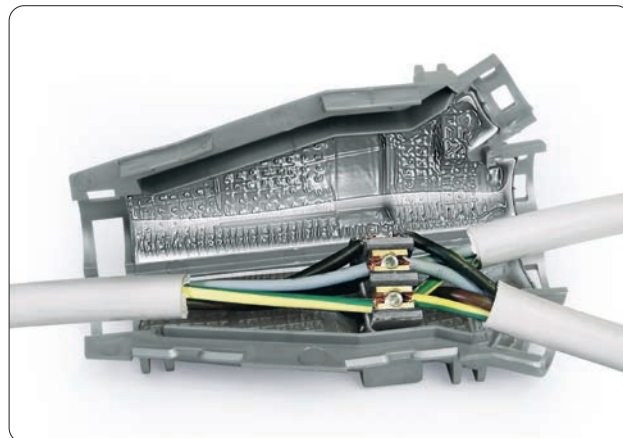
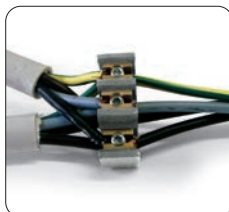
| PRODUCT / Item | LINE CONNECTIONS Cable formation and conductor cross sections (n° x mm ²) | max cables Ø (mm) | Dimension (mm) |
|-------------------------------------------|------------------------------------------------------------------------------------------|----------------------|----------------|
| KING JOINT L25 RAYJOINTL25 | 2 x 10 - 25 | 31 | 210 x 65 x 65 |
| | 3 x 10 - 25 | | |
| KING JOINT L25 - ARM RAYJL25ARM | 4 x 10 - 25 | 31 | 210 x 65 x 65 |
| | 5 x 10 - 25 | | |



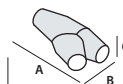
ARM type joints complete with continuity device suitable for connection to **armoured wire or steel tape cables**.

KING JOINT Y

Branch joints, including armoured cable.



| PRODUCT / Item | BRANCH CONNECTIONS Cable formation and conductor cross sections (n° x mm ²) | | max cables Ø (mm) | | Dimension (mm) |
|-------------------------------------------|--------------------------------------------------------------------------------------------|-------------|-------------------|------|----------------|
| | T | B | T | B | |
| KING JOINT Y6 KINGJ-Y6 | 2 x 1,5 - 6 | 2 x 1,5 - 4 | 22,5 | 18,5 | 138 x 60 x 37 |
| KING JOINT Y6 - ARM KINGJ-Y6ARM | 3 x 1,5 - 6 | 3 x 1,5 - 4 | | | |
| | 4 x 1,5 - 6 | 4 x 1,5 - 4 | | | |
| | 5 x 1,5 - 6 | 5 x 1,5 - 4 | | | |



T: Through cable - B: Branch cable



| PRODUCT / Item | BRANCH CONNECTIONS Cable formation and conductor cross sections (n° x mm ²) | | max cables Ø (mm) | | Dimension (mm) |
|---------------------------------------------|--------------------------------------------------------------------------------------------|-------------|-------------------|------|----------------|
| | T | B | T | B | |
| KING JOINT Y16 KINGJ-Y16 | 2 x 4 - 16 | 2 x 1,5 - 4 | 26 | 18,5 | 194 x 74 x 43 |
| KING JOINT Y16 - ARM KINGJ-Y16ARM | 3 x 4 - 16 | 3 x 1,5 - 4 | | | |
| | 4 x 4 - 16* | 4 x 1,5 - 4 | | | |
| | 5 x 4 - 16* | 5 x 1,5 - 4 | | | |

T: Through cable - B: Branch cable

* For armoured cables max conductor cross section 10 mm².



| PRODUCT / Item | BRANCH CONNECTIONS Cable formation and conductor cross sections (n° x mm ²) | | max cables Ø (mm) | | Dimension (mm) |
|---------------------------------------------|--------------------------------------------------------------------------------------------|-------------|-------------------|----|----------------|
| | T | B | T | B | |
| KING JOINT Y35 KINGJ-Y35 | 2 x 10 - 35 | 2 x 1,5 - 6 | 36 | 26 | 290 x 105 x 51 |
| KING JOINT Y35 - ARM KINGJ-Y35ARM | 3 x 10 - 35 | 3 x 1,5 - 6 | | | |
| | 4 x 10 - 35* | 4 x 1,5 - 6 | | | |

T: Through cable - B: Branch cable

* For armoured cables max conductor cross section 10 mm².

ARM type joints complete with continuity device suitable for connection to **armoured wire or steel tape cables**.