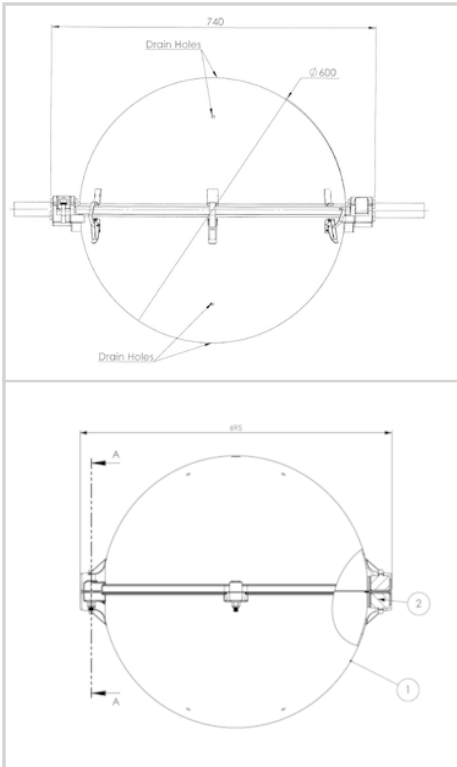


*The obsta spherical markers are compliant with International Civil Aviation Organisation (ICAO) annex 14 chapter 6 recommendations.*



- overall diameter 600mm
- material: aluminium
- Designed for high voltage cable, high temperature
- No losing parts and easy installation with only 2 screws and draw latches
- color: white, red or orange aviation to be specified at time order
- clamps depending on the diameter of the cable from 9mm up to 67mm to be specified at time order



Mechanical Characteristics	
Cable diameter	$\phi$ 14,0-17,5mm
Color	orange