

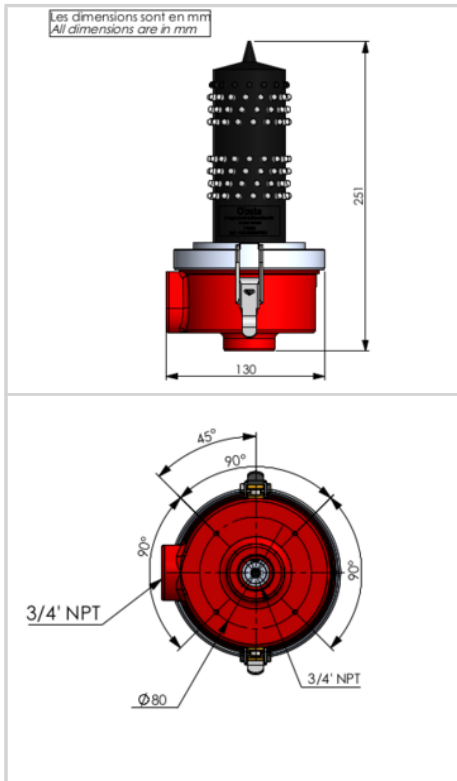
Red light FAA L-810 ETL FAA (AC 150/5345-43J) listed and ICAO low intensity type A, B or E



- L-810 type red fixed with IR emissions (or L-810 (F) mimic with L-864 medium intensity) depending on internal switches positions
- ICAO low intensity type A B or E with IR depending on internal switches positions
- Light part fully molded with 8 levels of leds
- Redundant circuits for LED's with de-coupled IR
- Surge protection and alarm included
- normally open and normally close both available for the alarm complying with FAA Engineering Brief 98
- 2 x 3/4" NPT threaded holes for mounting (or with the "NAVILITE-L810-HOLDER" and standard cable entry in absence of FAA rigid conduit)
- monobloc design with no loose part during installation
- Built-in flasher (activated through dip-switches with master/slave possibility) to mimic with L-864 medium intensity P/N113790RI-240, P/N113756U & P/N113714U or dual color L-865 /L-864 medium intensity P/N113725UI, P/N113715U & P/N113758U,



Option with IR (visible with Night Vision Goggles as per FAA Advisor 150/5345-43J)



Photometric Characteristics	
IR intensity and wavelength	25mW/sr @ 850nm
Electrical Characteristics	
Life time	~10years
Main voltage	110VAC to 240VAC +/-10% 50/60Hz
Average wattage	8W (steady mode) or 2W (@ 30 fpm mimic with L-864)
Mechanical Characteristics	
IP degree	IP65 in vertical position
Wiring	Terminal connection (2 power wires and 2 for the alarm)
Operating temperature	-40/+55°C
Weight	1 kg
Wire cross section	from 1 to 2,5 mm <sup>2</sup>
Attachment	2 NPT threaded holes
Photometric Characteristics	
Luminous intensity	> 35 Cd
Color night time	Red
Vertical beam spread	>10°
Horizontal beam spread	360°
Standards	
Standards compliance	ICAO annex 14 chapter 6, FAA (AC 150/5345-43J), UK MOD, Transport Canada
Certification	FAA (AC 150/5345-43J), ETL listed, DGAC(France)