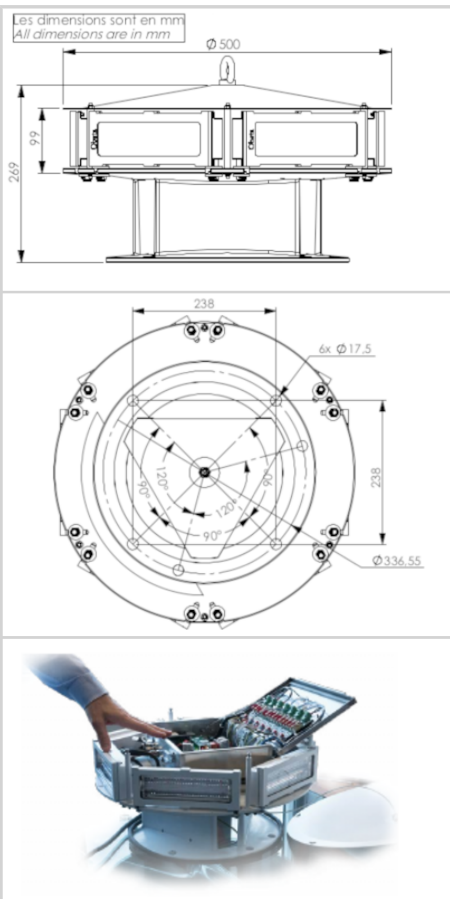


Dual color OBSTAFASH medium intensity type A and B or C
48VDC flashhead


Patents: EP 1966535B1 & US 7816843

- 6 led projectors in aluminium and glass
- 2 white led circuits and a red with infrared circuit inside each projector
- NVG visible
- Simple installation with no losing parts when opening the flash-head
- 48VDC led drivers inside a stainless enclosure located in flash-head
- Alarm activated in case of lamp default or power supply default
- Test button for day and night
- Luminous indicators for quick diagnostic
- 48Vdc surge protection with indicator showing when it has failed included
- GPS



Electrical Characteristics	
Main voltage	48VDC -10%/+15% (max current 7A)
Average wattage	55W (day time), 8W (night mode)
Mechanical Characteristics	
IP degree	IP66 per projector
Wiring	Entry of cable by glands nickel plated brass and connection by terminals
Operating temperature	-40/+55°C
Size of the light	333mm (height) x 500mm (diameter)
Weight	14kg
Cable entry diameter	11 to 21mm
Wire cross section	from 1 to 4 mm ²
Attachment	6 mounting holes dia.16mm, dia.337mm circle (FAA standard)
Photometric Characteristics	
Effective light output day time at 0° on site	20 000cd (white)
Effective light output twilight mode at 0° on site	20 000cd (white)
Effective light output night mode at 0° on site	2000cd (red) with IR
Color day/twilight time	white
Color night time	Red or white
Vertical beam spread	>3°
Horizontal beam spread	360°
Flash per minute	40
Standards	
Standards compliance	ICAO annexe 14 chapter 6 (8th edition 07/2018), EASA (4th edition 2017)