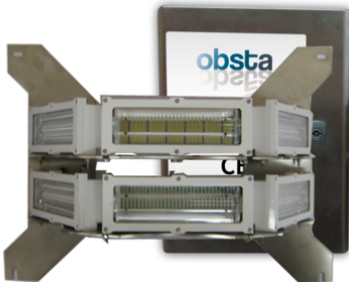


Led high intensity type B - Compliant with high intensity type B according to ICAO annex 14 chapter 6 (edition July 2018) - To be used on the support of the transmission line in case it is not possible to install day warning spheres on the cables (3 levels of 2 lights on opposite side of the tower supporting power cables)

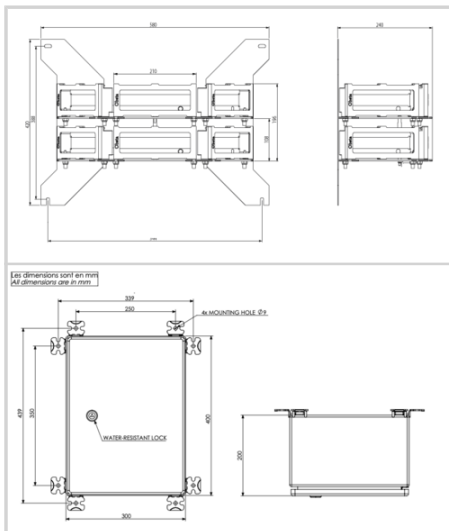
Flashhead

- 6 led independant projectors coming with 4 meters of molded cable connected to power cabinet
- Aluminium white painted and glass enveloppe
- Stainless steel bracket
- 2 white led circuits and a red with infrared circuit inside each projector
- No losing parts and no special tools required, only 1kg per projector


Power supply

- 'Weather tight' stainless steel 316L power cabinet enclosure
- 6 independant power supplies providing a high redundancy level
- Luminous indicators for quick diagnostic
- Modular design
- Synchronisation of the flashes 1/13 2/13 & 10/13 and day/twilight/night mode through GPS
- Surge protection included

At night, this obstruction light can operates as a medium intensity type B (red flashing)



Electrical Characteristics	
Main voltage	48VDC -5%/+15% (max current 12A)
Average wattage	120W (day time)
Mechanical Characteristics	
IP degree	IP66 per projector
Wiring	Entry of cable by glands nickel plated brass and connection by terminals
Operating temperature	-40/+55°C
Size of the light	420mm (height) x 580mm (width)
Size of the power supply	400mm (height) x 300mm (width) x 200mm (dept)
Wire cross section	up to 6mm ² for power supply, up to 1,5mm ² for signal
Photometric Characteristics	
Effective light output day time at 0° on site	100 000cd (white)
Effective light output twilight mode at 0° on site	20 000cd (white)
Effective light output night mode at 0° on site	2000cd (white)
Color day/twilight time	white
Color night time	White
Vertical beam spread	>3°
Horizontal beam spread	360° with minimum 2 flashheads on opposite side
Flash per minute	40
Standards	
Standards compliance	ICAO annexe 14 chapter 6 (8th edition 07/2018), EASA (4th edition 2017)