



TE CONNECTIVITY'S (TE) RAYCHEM CABLE CLAMPS

Designed and independently tested to meet all requirements of IEC 61914.

Integral stainless steel clamping plates to ensure consistent clamping pressure on both sides.

Range taking elastomeric inserts, minimise stock holdings, yet maximise performance

Range accepts cable diameters from 15 - 106 mm

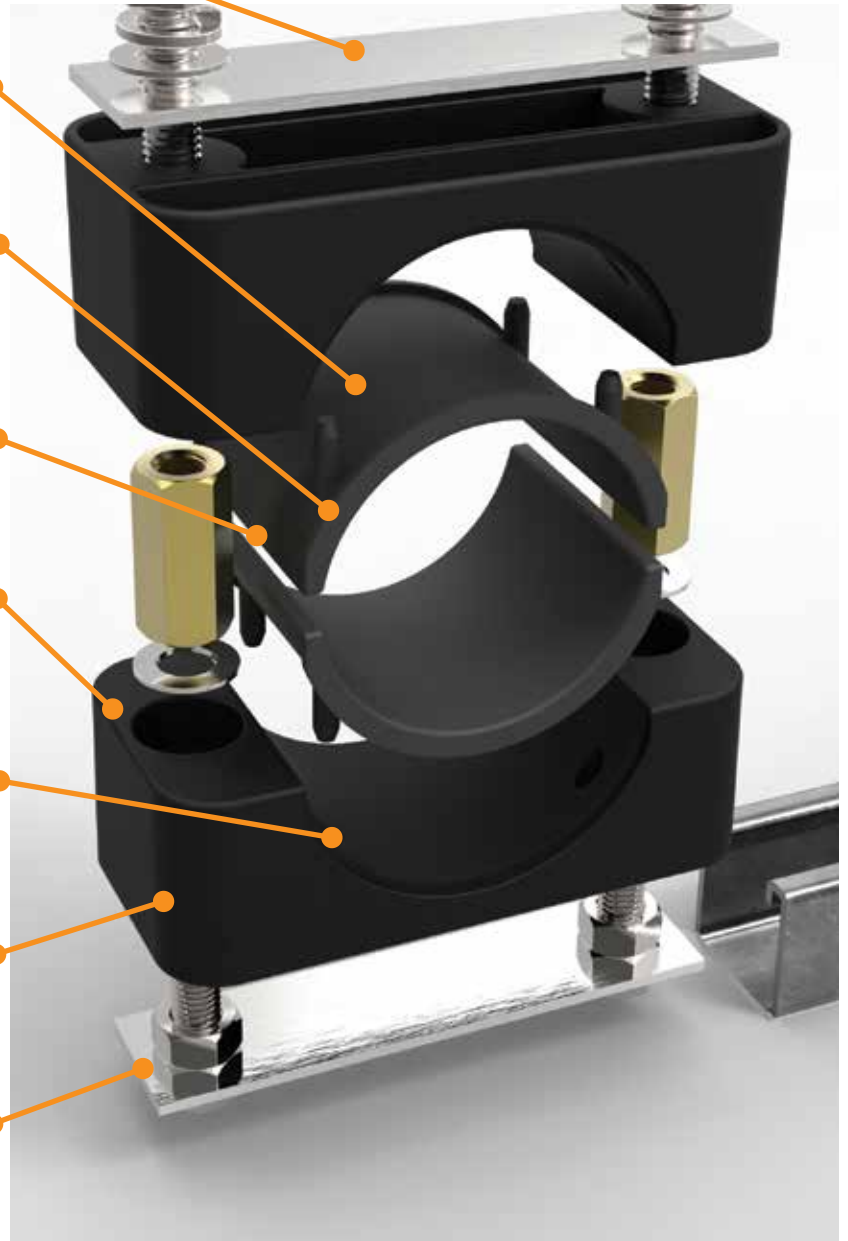
Elastomeric inserts can accommodate round, oval or "tri-round" cable profiles

Bottom half of clamps can be mounted prior to cable fitment

Can be used without inserts in an emergency, to increase the clamping range

Impact resistant, halogen-free, UV stabilised materials

Slider plate design, maximises clamp performance, when under shock load



Single clamps with hardware

Features

- Captive elastomeric inserts for increased cable protection and containment
- Slider plate design maximises clamp performance when under shock load
- 33% glass fibre reinforced polyamide resin, UV stabilised, self-extinguishing, impact resistant material

Applications

- Range accepts cable diameters from 15-106 mm

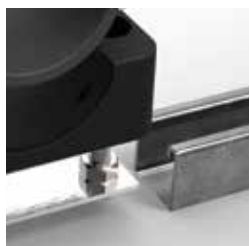
Benefits

- Bottom half of clamp can be mounted in position before positioning the cables leading to easier installation - especially in vertical applications
- Optimised for harsh environments with stainless steel hardware and self-extinguishing, UV stabilised materials



SINGLE CLAMPS WITH HARDWARE

TE Part Number	Min Cable Ø	Max Cable Ø	Width A	Depth B	Bolt Hole Ctrs C	Installed Height H - Max	Bolt Ø	Type
	mm (in)	mm (in)	mm (in)	mm (in)	mm (in)	mm (in)		
CC15-26-SN-M10	15 (0.59)	26 (1.02)	90 (3.54)	60 (2.36)	60 (2.36)	75 (2.95)	M10	Strut Nut
CC15-26-SN-M12							M12	Strut Nut
CC15-26-FM-M12							M12	Flat Mount
CC26-38-SN-M10	26 (1.5)	38 (1.5)	90 (3.54)	60 (2.36)	60 (2.36)	100 (3.94)	M10	Strut Nut
CC26-38-SN-M12							M12	Strut Nut
CC26-38-FM-M12							M12	Flat Mount
CC38-50-PL-M12	38 (2.36)	50 (1.97)	104 (4.09)	60 (2.36)	75 (2.95)	130 (5.12)	M12	Slider Plate
CC38-50-SN-M12							M12	Strut Nut
CC38-50-FM-M12							M12	Flat Mount
CC50-60-PL-M12	50 (3.15)	60 (2.36)	133 (5.24)	60 (2.36)	100 (3.94)	155 (6.1)	M12	Slider Plate
CC50-60-SN-M12							M12	Strut Nut
CC50-60-FM-M12							M12	Flat Mount
CC60-70-PL-M12	60 (2.36)	70 (2.76)	146 (5.75)	70 (2.76)	114 (4.89)	250 (9.84)	M12	Slider Plate
CC60-70-SN-M12							M12	Strut Nut
CC60-70-FM-M12							M12	Flat Mount
CC68-81-PL-M12	68 (2.68)	81 (3.19)	146 (5.75)	70 (2.76)	114 (4.89)	250 (9.84)	M12	Slider Plate
CC68-81-SN-M12							M12	Strut Nut
CC68-81-FM-M12							M12	Flat Mount
CC80-92-PL-M12	80 (3.15)	92 (3.62)	176 (6.93)	75 (2.95)	142 (5.59)	295 (11.6)	M12	Slider Plate
CC80-92-SN-M12							M12	Strut Nut
CC80-92-FM-M12							M12	Flat Mount
CC92-106-PL-M12	92 (3.62)	106 (4.17)	176 (6.93)	75 (2.95)	142 (5.59)	295 (11.6)	M12	Slider Plate
CC92-106-SN-M12							M12	Strut Nut
CC92-106-FM-M12							M12	Flat Mount
CC106-120-SN-M12	106 (4.17)	120 (4.72)	210 (8.27)	95 (3.74)	176 (6.93)	188 (7.4)	M12	Strut Nut
CC106-120-FM-M12							M12	Flat Mount
CC120-135-SN-M12	120 (4.72)	135 (5.32)	210 (8.27)	95 (3.74)	176 (6.93)	188 (7.4)	M12	Strut Nut
CC120-135-FM-M12							M12	Flat Mount



SLIDER PLATE VERSION

Used where access to the end of the mounting rail is achievable



STRUT NUT VERSION

Used where access to the end of the mounting rail is not possible



FLAT MOUNT VERSION

Used when installing on a mounting plate

Single clamps with hardware



SINGLE CLAMPS WITH HARDWARE								
TE Part Number	Min Cable Ø	Max Cable Ø	Width A	Depth B	Bolt Hole Ctrs C	Installed Height H - Max	Bolt Ø	Type
	mm (in)	mm (in)	mm (in)	mm (in)	mm (in)	mm (in)		
CC15-26-PL-M12-DOUB	15 (0.59)	26 (1.02)	90 (3.54)	60 (2.36)	60 (2.36)	130 (5.10)	M12	Slider Plate
CC15-26-SN-M12-DOUB								Strut Nut
CC26-38-PL-M12-DOUB	26 (1.02)	38 (1.5)	90 (3.54)	60 (2.36)	60 (2.36)	130 (5.10)	M12	Slider Plate
CC26-38-SN-M12-DOUB								Strut Nut
CC38-50-PL-M12-DOUB	38 (1.5)	50 (1.97)	104 (4.09)	60 (2.36)	75 (2.95)	170 (6.69)	M12	Slider Plate
CC38-50-SN-M12-DOUB								Strut Nut
CC50-60-PL-M12-DOUB	50 (1.97)	60 (2.36)	133 (5.24)	60 (2.36)	100 (3.94)	215 (8.46)	M12	Slider Plate
CC50-60-SN-M12-DOUB								Strut Nut
CC60-70-PL-M12-DOUB	60 (2.36)	70 (2.76)	146 (5.75)	70 (2.76)	114 (4.89)	250 (9.84)	M12	Slider Plate
CC60-70-SN-M12-DOUB								Strut Nut
CC68-81-PL-M12-DOUB	68 (2.68)	81 (3.19)	146 (5.75)	70 (2.76)	114 (4.89)	250 (9.84)	M12	Slider Plate
CC68-81-SN-M12-DOUB								Strut Nut
CC80-92-PL-M12-DOUB	80 (3.15)	92 (3.62)	176 (6.93)	75 (2.95)	142 (5.59)	295 (11.6)	M12	Slider Plate
CC80-92-SN-M12-DOUB								Strut Nut
CC92-106-PL-M12-DOUB	92 (3.62)	106 (4.17)	176 (6.93)	75 (2.95)	142 (5.59)	295 (11.6)	M12	Slider Plate
CC92-106-SN-M12-DOUB								Strut Nut



SLIDER PLATE VERSION

Used where access to the end of the mounting rail is achievable



STRUT NUT VERSION

Used where access to the end of the mounting rail is not possible



Easy product identification. Smooth aesthetics which improve overall strength while in operation

Optimised for harsh environments with stainless steel hardware

Self-extinguishing, UV stabilised, polymer materials

Range accepts cable diameters from 26-38 mm, 38-50 mm, 50-60 mm, 60-70 mm & 70-80 mm

Captive elastomeric inserts for increased cable protection and containment

Can be used as a dual cable clamp or stacked

Can be mounted using centre bolt or 2 bolts at extremities

Available in slider plate, strut nut and pole mount configurations

Trefoil clamps with hardware

Features

- Captive elastomeric inserts for increased cable protection and containment
- Smooth profile which improve overall strength while in operation
- Polyamide resin reinforced with 33% glass fibre, UV stabilised, self-extinguishing, impact resistant material

Applications

- Range accepts cable diameters from 26-38 mm, 38-50 mm, 50-60 mm, 60-70 and 70-80 mm
- Can be pole mounted using centre bolt or 2 bolts at extremities

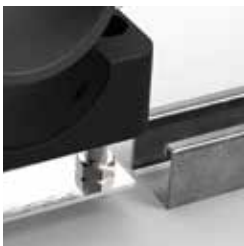
Benefits

- Bottom half of clamp can be mounted in position before positioning the cables leading to easier installation - especially in vertical applications
- Optimised for harsh environments with stainless steel hardware and self-extinguishing, UV stabilised materials



Trefoil Clamps with Hardware

TE Product Description	Min Cable Ø	Max Cable Ø	Width A	Depth B	Bolt Hole Ctrs C	Installed Height H - Max	Bolt Ø	Type
	mm (in)	mm (in)	mm (in)	mm (in)	mm (in)	mm (in)		
CCT26-38-SN-M12	26 (1.02)	38 (1.5)	135 (5.31)	60 (2.36)	100 (3.94)	116 (4.57)	M12	Strut Nut
CCT26-38-PL-M12								Slider Plate
CCT26-38-M12-POLE								Pole Mount
CCT38-50-SN-M12	38 (1.5)	50 (1.97)	170 (6.69)	60 (2.36)	138 (5.43)	145 (5.71)	M12	Strut Nut
CCT38-50-PL-M12								Slider Plate
CCT38-50-M12-POLE								Pole Mount
CCT50-60-SN-M12	50 (1.97)	60 (2.36)	200 (7.87)	60 (2.36)	160 (6.3)	164 (6.46)	M12	Strut Nut
CCT50-60-PL-M12								Slider Plate
CCT50-60-M12-POLE								Pole Mount
CCT60-70-SN-M12	60 (2.36)	70 (2.76)	240 (9.45)	70 (2.76)	200 (7.87)	185 (7.28)	M12	Strut nut
CCT70-80-SN-M12	70 (2.76)	80 (3.15)	240 (9.45)	70 (2.76)	200 (7.87)	185 (7.28)	M12	Strut nut



SLIDER PLATE VERSION

Used where access to the end of the mounting rail is achievable



STRUT NUT VERSION

Used where access to the end of the mounting rail is not possible



POLE MOUNT VERSION

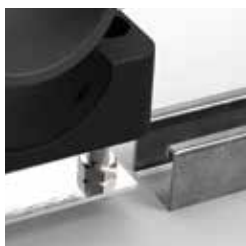
Centre mounting hardware not provided

Double trefoil clamps with hardware



Double Trefoil Clamps with Hardware

TE Product Description	Min Cable Ø	Max Cable Ø	Width A	Depth B	Bolt Hole Ctrs C	Installed Height H - Max	Bolt Ø	Type
	mm (in)	mm (in)	mm (in)	mm (in)	mm (in)	mm (in)	-	-
CCT26-38-SN-M12-DOUB	26 (1.02)	38 (1.5)	135 (5.31)	60 (2.36)	100 (3.94)	239 (9.41)	M12	Strut Nut
CCT26-38-PL-M12-DOUB								Slider Plate
CCT38-50-SN-M12-DOUB	38 (1.5)	50 (1.97)	170 (6.69)	60 (2.36)	138 (5.43)	294 (11.57)	M12	Strut Nut
CCT38-50-PL-M12-DOUB								Slider Plate
CCT50-60-SN-M12-DOUB	50 (1.97)	60 (2.36)	200 (7.87)	60 (2.36)	160 (6.3)	334 (13.15)	M12	Strut Nut
CCT50-60-PL-M12-DOUB								Slider Plate



SLIDER PLATE VERSION

Used where access to the end of the mounting rail is achievable



STRUT NUT VERSION

Used where access to the end of the mounting rail is not possible

Dual clamps with hardware

Features

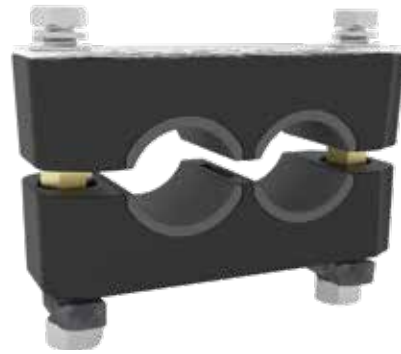
- Captive elastomeric inserts for increased cable protection and containment
- Smooth aesthetics which improve overall strength while in operation
- 33% glass fibre reinforced polyamide resin, UV stabilised, self-extinguishing, impact resistant material

Applications

- Range accepts cable diameters from 26-38 mm, 38-50 mm, 50-60 mm, 60-70 mm & 70-80 mm

Benefits

- Bottom half of clamp can be mounted in position before positioning the cables leading to easier installation - especially in vertical applications
- Optimised for harsh environments with stainless steel hardware and self-extinguishing, UV stabilised materials



Dual Clamps with Hardware

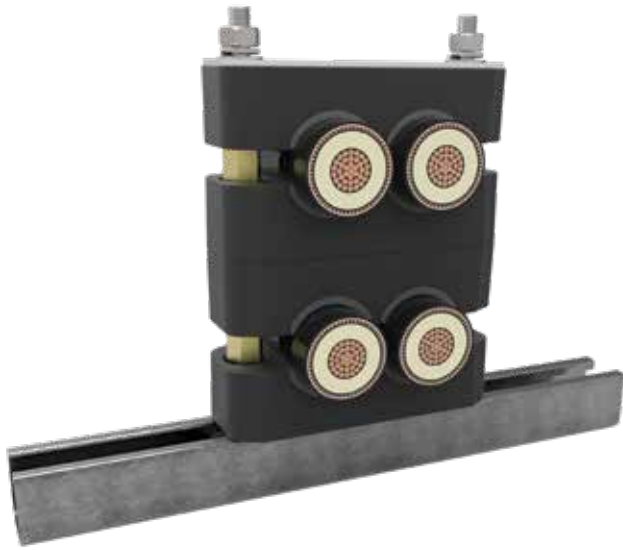
TE Product Description	Min Cable Ø	Max Cable Ø	Width A	Depth B	Bolt Hole Ctrs C	Installed Height H - Max	Bolt Ø	Type
	mm (in)	mm (in)	mm (in)	mm (in)	mm (in)	mm (in)	-	-
CCD26-38-SN-M12	26 (1.02)	38 (1.5)	135 (5.31)	60 (2.36)	100 (3.94)	110 (4.33)	M12	Strut Nut
CCD38-50-SN-M12	38 (1.5)	50 (1.97)	170 (6.69)	60 (2.36)	138 (5.43)	115 (4.53)	M12	Strut Nut
CCD50-60-SN-M12	50 (1.97)	60 (2.36)	200 (7.87)	60 (2.36)	160 (6.3)	120 (4.72)	M12	Strut Nut
CCD60-70-SN-M12	60 (2.36)	70 (2.76)	240 (9.45)	70 (2.76)	200 (7.87)	140 (5.51)	M12	Strut Nut
CCD70-80-SN-M12	70 (2.76)	80 (3.15)	240 (9.45)	70 (2.76)	200 (7.87)	140 (5.51)	M12	Strut Nut



STRUT NUT VERSION

Used where access to the end of the mounting rail is not possible

Double dual clamps with hardware



Double Dual Clamps with Hardware

TE Product Description	Min Cable Ø	Max Cable Ø	Width A	Depth B	Bolt Hole Ctrs C	Installed Height H - Max	Bolt Ø	Type
	mm (in)	mm (in)	mm (in)	mm (in)	mm (in)	mm (in)		
CCD26-38-SN-M12-DOUB	26 (1.02)	38 (1.5)	135 (5.31)	60 (2.36)	100 (3.94)	220 (8.66)	M12	Strut Nut
CCD38-50-SN-M12-DOUB	38 (1.5)	50 (1.97)	170 (6.69)	60 (2.36)	138 (5.43)	230 (9.06)	M12	Strut Nut
CCD50-60-SN-M12-DOUB	50 (1.97)	60 (2.36)	200 (7.87)	60 (2.36)	160 (6.3)	240 (9.45)	M12	Strut Nut
CCD60-70-SN-M12-DOUB	60 (2.36)	70 (2.76)	240 (9.45)	70 (2.76)	200 (7.87)	280 (11.02)	M12	Strut Nut
CCD70-80-SN-M12-DOUB	70 (2.76)	80 (3.15)	240 (9.45)	70 (2.76)	200 (7.87)	280 (11.02)	M12	Strut Nut



STRUT NUT VERSION

Used where access to the end of the mounting rail is not possible

Frequently Asked Questions

1) What are the TE's Raychem Cable Clamps manufactured from?

Each clamp body moulding is manufactured from a halogen-free, glass filled, self-extinguishing polymeric material, which is also UV stabilised. All hardware has been optimised for harsh environments. Stainless Steel components are 304 grade in most cases. Each insert, is manufactured from a halogen-free, UV stabilised elastomer.

2) What is the recommended spacing of the cable clamps?

Recommended spacing for each clamp size, can vary depending on the application, short time requirements and cable parameters. For further details please contact TE. As a general set of guidelines for most applications, the following spacings are recommended,

a) For Horizontal applications, a spacing of 1.2 to 1.5 m, is recommended between clamps, along the cable. A spacing of 0.2 m for clamps to suit up to 50 mm diameter cables and 0.4 m for clamps suitable for over 50 mm diameter cables, is recommended between adjacent cables, when installed side by side.

b) For Vertical applications, a spacing of 1 to 1.2 m, is recommended between clamps along the cable. A spacing of 0.2 m for clamps to suit up to 50 mm diameter cables and 0.4 m for clamps suitable for over 50 mm diameter cables, is recommended between adjacent cables, when installed side by side.

3) What is the advantage of these clamps?

The most important feature of TE's Raychem cable clamps is the ability to mount the bottom half of the cable clamp in position prior to cable fitment, therefore easier to install - especially in vertical applications.

The other main features, is the use of elastomeric inserts on all clamps. This ensures excellent mechanical performance, in particular under fault conditions. It also maximises cable contact, even on "non-round" cable constructions, as is the case on many 3 core cable designs, which tend to be more "tri-round".





CUSTOMIZATION ON DEMAND

TE CONNECTIVITY'S TEAM CAN DESIGN TAILOR
MADE SCHEMATICS AND SPECIFY TECHNICAL
DETAILS FOR CUSTOM CABLE CLAMP
LAYOUTS THAT SUIT YOUR SPECIFIC NEEDS.



TE Connectivity (NYSE: TEL) is a \$12 billion global technology leader. Our commitment to innovation enables advancements in transportation, industrial applications, medical technology, energy, data communications, and the home. TE's unmatched breadth of connectivity and sensor solutions, proven in the harshest of environments, helps build a safer, greener, smarter and more connected world. With 75,000 people – including more than 7,000 engineers – working alongside customers in nearly 150 countries, we help ensure that EVERY CONNECTION COUNTS – www.TE.com.

Generation

- Conventional Power
- Nuclear Power
- Wind/Solar
- Hydro-electric

Transmission & Distribution

- Substation
- Underground
- Overhead
- Street Lighting

Industry

- Mining
- Petrochemical
- Railway
- Shipbuilding

WHEREVER ELECTRICITY FLOWS, YOU'LL FIND TE CONNECTIVITY



te.com/energy

FOR MORE INFORMATION:

TE Technical Support Centers

AMERICAS

- USA/Canada: +1 (800) 327-6996
- Mexico: +52 0-55-1106-0800
- Brazil: +55 11-2103-6023
- South America: +57 1-319-8962

ASIA-PACIFIC

- Australia: +61 29-554-2695
- New Zealand: +64 9-634-4580
- China: +86 (0) 400-820-6015

EUROPE-MIDDLE EAST-AFRICA

- France: +33 (0) 38-058-3200
- Germany/Switzerland: +49 (0) 89-608-9903
- UK: +44 08708-707-500
- Spain/Portugal: +34 912-681-885
- Italy: +39 335-834-3453
- Benelux: +32 16-508-695
- Russia: +7 495-790 790 2-200
- Poland/Baltics: +48 224-576-753
- Czech Republic: +42 (0) 272-011-105
- Sweden/Norway: +46 850 725 000
- Middle East: +971 4-211-7020

te.com/energy

© 2018 TE Connectivity Ltd. All Rights Reserved. EPP-2211-01/18

Raychem, TE Connectivity and the TE connectivity (logo) are trademarks of the TE Connectivity Ltd. family of companies. Other logos, product and Company names mentioned herein may be trademarks of their respective owners. While TE has made every reasonable effort to ensure the accuracy of the information in this brochure, TE does not guarantee that it is error-free, nor does TE make any other representation, warranty or guarantee that the information is accurate, correct, reliable or current. TE reserves the right to make any adjustments to the information contained herein at any time without notice. TE expressly disclaims all implied warranties regarding the information contained herein, including, but not limited to, any implied warranties of merchantability or fitness for a particular purpose. The dimensions in this brochure are for reference purposes only and are subject to change without notice. Specifications are subject to change without notice. Consult TE for the latest dimensions and design specifications.

