

# Tubular angle terminals, K45D type

## FEATURES & BENEFITS

- ring terminal Cu, crimped part as per DIN, with galvanic tin plating and 45 degrees angle terminal fixture
- description of cable cross-section, terminal size and crimping die number on crimped part surface
- very wide range

## MECHANICAL DATA

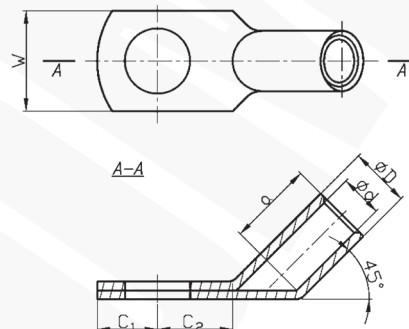
Material	Cu
Covering	tin-plated
UL	√

## CERTIFICATES & STANDARDS

UL certificate	E475284
Design	DIN 46235 – concerns only the tubular part

## NOTE!

Sector-shaped conductors (sm) must be rounded with special dies.



Type	Index Ergom	Cross-section, mm <sup>2</sup> [mm <sup>2</sup> ]	d	D	a	C <sub>1</sub>	C <sub>2</sub>	W	Screw hole	Socket code no.	Lz/s	Lz/w	Quantity in package [pcs]	Weight [kg]							
K45D 10/5 (100 PCS)	E11KM-02030200100	10	4,5	6,0	10	7,0	10	9	M5	6	1	1	100	0,36							
K45D 10/5 (10 PCS)	E11KM-02030200102					7,5		M6	10				0,04								
K45D 10/6 (100 PCS)	E11KM-02030200200					16	5,5	8,5	20				9,0	13	12	M8	8	1	2	100	0,35
K45D 10/6 (10 PCS)	E11KM-02030200202												7,5		M6	13				10	0,04
K45D 10/8 (100 PCS)	E11KM-02030200300												9,0	13	12	M8				100	0,39
K45D 10/8 (10 PCS)	E11KM-02030200302												11,0								
K45D 16/6 (100 PCS)	E11KM-02030200400	16	5,5	8,5	20	7,5	10	13	M6	8	1	2	100	1,2							
K45D 16/6 (10 PCS)	E11KM-02030200402					9,0			M8				13	10	0,12						
K45D 16/8 (100 PCS)	E11KM-02030200500					25	7,0	10,0	20				9,0	13	16	M8	10	1	2	100	1,27
K45D 16/8 (10 PCS)	E11KM-02030200502												11,0			17				M10	13
K45D 16/10 (100 PCS)	E11KM-02030200600												12,0	15	17	M10				100	1,34
K45D 16/10 (10 PCS)	E11KM-02030200602												15								
K45D 16/12 (100 PCS)	E11KM-02030200700	25	7,0	10,0	20	12,0	15	18	M12	10	1	2	100	1,35							
K45D 16/12 (10 PCS)	E11KM-02030200702					7,5			10				14	M6	10	0,14					
K45D 25/6 (100 PCS)	E11KM-02030200800					25	7,0	10,0	20				9,0	13	16	M8	10	1	2	100	1,49
K45D 25/6 (10 PCS)	E11KM-02030200802												11,0			17				M10	13
K45D 25/8 (100 PCS)	E11KM-02030200900												12,0	15	17	M10				100	1,64
K45D 25/8 (10 PCS)	E11KM-02030200902																				
K45D 25/10 (100 PCS)	E11KM-02030201000	12,0	15	17	M10					100	1,73										
K45D 25/10 (10 PCS)	E11KM-02030201002											12,0									
K45D 25/12 (100 PCS)	E11KM-02030201100	12,0	15	17	M10	100	1,73														
K45D 25/12 (10 PCS)	E11KM-02030201102							12,0	19	M12	15	10	0,18								

Type	Index Ergom	Cross-section, mm <sup>2</sup>	d	D	a	C <sub>1</sub>	C <sub>2</sub>	W	Screw hole	Socket code no.	Lz/s	Lz/w	Quantity in package [pcs]	Weight [kg]							
K45D 35/8 (100 PCS)	E11KM-02030201200	35	8,2	12,5	20	9,0	13	17	M8	12	1	2	100	2,72							
K45D 35/8 (10 PCS)	E11KM-02030201202												10	0,28							
K45D 35/10 (100 PCS)	E11KM-02030201300					11,0	19	M10	100				2,92								
K45D 35/10 (10 PCS)	E11KM-02030201302								10				0,3								
K45D 35/12 (100 PCS)	E11KM-02030201400					12,0	21	M12	100				2,93								
K45D 35/12 (10 PCS)	E11KM-02030201402								10				0,3								
K45D 35/14 (100 PCS)	E11KM-02030201500					14,0	18	M14	100				3								
K45D 35/14 (10 PCS)	E11KM-02030201502								10				0,3								
K45D 50/8 (100 PCS)	E11KM-02030201600					50	10,0	14,5	28				9,0	13	20	M8	14	2	3	100	4,63
K45D 50/8 (10 PCS)	E11KM-02030201602																			10	0,47
K45D 50/10 (100 PCS)	E11KM-02030201700	11,0	22	M10	100					4,84											
K45D 50/10 (10 PCS)	E11KM-02030201702				10					0,49											
K45D 50/12 (100 PCS)	E11KM-02030201800	12,0	24	M12	100					4,94											
K45D 50/12 (10 PCS)	E11KM-02030201802				10					0,5											
K45D 50/14 (100 PCS)	E11KM-02030201900	14,0	18	M14	100					4,96											
K45D 50/14 (10 PCS)	E11KM-02030201902				10					0,5											
K45D 50/16 (100 PCS)	E11KM-02030202000	16,0	28	M16	100					4,92											
K45D 50/16 (10 PCS)	E11KM-02030202002				10					0,5											
K45D 70/8 (100 PCS)	E11KM-02030202100	70	11,5	16,5	28	9,0	13		M8	16	2	3	100	12,8							
K45D 70/8 (10 PCS)	E11KM-02030202102												10	1,28							
K45D 70/10 (100 PCS)	E11KM-02030202200					11,0	24	M10	100				13,4								
K45D 70/10 (10 PCS)	E11KM-02030202202								10				1,34								
K45D 70/12 (100 PCS)	E11KM-02030202300					12,0	15	M12	100				13,8								
K45D 70/12 (10 PCS)	E11KM-02030202302								10				1,38								
K45D 70/14 (100 PCS)	E11KM-02030202400					14,0	30	M14	100				13,4								
K45D 70/14 (10 PCS)	E11KM-02030202402								10				1,34								
K45D 70/16 (100 PCS)	E11KM-02030202500					16,0		M16	100				13,8								
K45D 70/16 (10 PCS)	E11KM-02030202502								10				1,38								
K45D 95/10 (50 PCS)	E11KM-02030202600	95	13,5	19,0	35	12,0	17		M10	18	2	4	50	9,64							
K45D 95/10 (10 PCS)	E11KM-02030202602												10	1,93							
K45D 95/12 (50 PCS)	E11KM-02030202700					18	28	M12	50				9,21								
K45D 95/12 (10 PCS)	E11KM-02030202702								10				1,85								
K45D 95/14 (50 PCS)	E11KM-02030202800					14,0	20	M14	50				9,51								
K45D 95/14 (10 PCS)	E11KM-02030202802								10				1,91								
K45D 95/16 (50 PCS)	E11KM-02030202900					16,0	22	32	M16				50	9,4							
K45D 95/16 (10 PCS)	E11KM-02030202902												10	1,88							
K45D 120/10 (50 PCS)	E11KM-02030203000					120	15,5	21,0	35				12,0	17		M10	20	2	4	50	11
K45D 120/10 (10 PCS)	E11KM-02030203002																			10	2,2
K45D 120/12 (50 PCS)	E11KM-02030203100	18	32	M12	50					11,45											
K45D 120/12 (10 PCS)	E11KM-02030203102				10					2,29											
K45D 120/14 (50 PCS)	E11KM-02030203200	20		M14	50					11,55											
K45D 120/14 (10 PCS)	E11KM-02030203202				10					2,31											
K45D 120/16 (50 PCS)	E11KM-02030203300	22		M16	50					11,76											
K45D 120/16 (10 PCS)	E11KM-02030203302				10					2,36											
K45D 120/20 (50 PCS)	E11KM-02030203400	20,0	24	38	M20					50	11,95										
K45D 120/20 (10 PCS)	E11KM-02030203402									10	2,39										
K45D 150/10 (50 PCS)	E11KM-02030203500	150	17,0	23,5	35	10,0	17		M10	22	2	4	50	31,8							
K45D 150/10 (10 PCS)	E11KM-02030203502												10	6,36							
K45D 150/12 (50 PCS)	E11KM-02030203600					12,0	18	M12	50				32								
K45D 150/12 (10 PCS)	E11KM-02030203602								10				6,4								
K45D 150/14 (50 PCS)	E11KM-02030203700					20	34	M14	50				32,6								
K45D 150/14 (10 PCS)	E11KM-02030203702								10				6,52								
K45D 150/16 (50 PCS)	E11KM-02030203800					16,0		M16	50				33,8								
K45D 150/16 (10 PCS)	E11KM-02030203802								10				6,76								
K45D 150/20 (50 PCS)	E11KM-02030203900					20,0	24	38	M20				50	33							
K45D 150/20 (10 PCS)	E11KM-02030203902												10	6,6							

Type	Index Ergom	Cross-section, mm <sup>2</sup>	d	D	a	C <sub>1</sub>	C <sub>2</sub>	W	Screw hole	Socket code no.	Lz/s	Lz/w	Quantity in package [pcs]	Weight [kg]										
K45D 185/10 (50 PCS)	E11KM-02030204000	185	19,0	25,5	40	14,0	22	37	M10	25	2	5	50	40,2										
K45D 185/10 (10 PCS)	E11KM-02030204002								10				8,04											
K45D 185/12 (50 PCS)	E11KM-02030204100								M12				50	39,2										
K45D 185/12 (10 PCS)	E11KM-02030204102								10				7,84											
K45D 185/14 (50 PCS)	E11KM-02030204200								M14				50	40										
K45D 185/14 (10 PCS)	E11KM-02030204202								10				8											
K45D 185/16 (50 PCS)	E11KM-02030204300								16,0				M16	50	39,3									
K45D 185/16 (10 PCS)	E11KM-02030204302												10	7,86										
K45D 185/20 (50 PCS)	E11KM-02030204400								20,0				24	40	M20	50	40							
K45D 185/20 (10 PCS)	E11KM-02030204402														10	8								
K45D 240/12 (50 PCS)	E11KM-02030204500								240				21,5	29,0	40	14,0	22	42	M12	28	2	-	50	52,8
K45D 240/12 (10 PCS)	E11KM-02030204502																		10				10,56	
K45D 240/14 (50 PCS)	E11KM-02030204600	16,0	M14	50	54																			
K45D 240/14 (10 PCS)	E11KM-02030204602		10	10,8																				
K45D 240/16 (50 PCS)	E11KM-02030204700	20,0	24	45	M16	50	54																	
K45D 240/16 (10 PCS)	E11KM-02030204702				10	10,8																		
K45D 240/20 (50 PCS)	E11KM-02030204800	M20	50	53,6																				
K45D 240/20 (10 PCS)	E11KM-02030204802		10	10,72																				

Lz/s - Number of crimping - wide Lz/w - Number of crimping - narrow