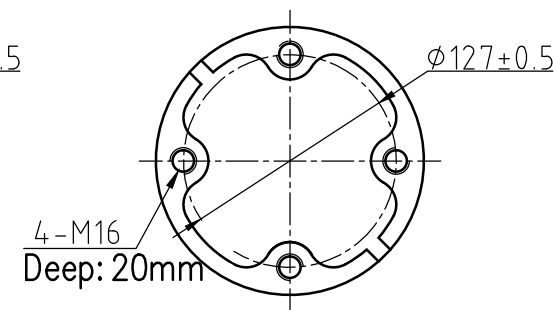
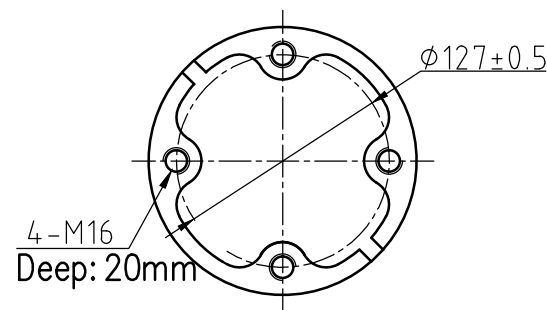


Top installation holes

Bottom installation holes



TECHNICAL REQUIREMENTS:

ELECTRICAL PROPERTIES

Impulse Withstand Voltage	kV	750
Wet p.f. Withstand Voltage	kV	325

PHYSICAL PROPERTIES

Nominal Creepage Distance	mm	4250
Net Weight	kg	97
Colour		Grey

MECHANICAL PROPERTIES

Ultimate cantilever strength	kN	8
Ultimate torsional strength	kN-m	4
Applicable standard		IEC 60168 & IEC 60273

					Anti Pollution-type outdoor solid-core post insulator	C8-750-4250		
Mark	Severall	Document No.	Sign	Date		phase sign	weight	scale
DRAWN	刘淑兰	APPROVE	林江		Assembly drawing	S	A	B
CHECKED	刘强	DATE	2022.02.16			TN: 1	SN:1	
REVIEW	彭能	ISSUE	1					

Sinoma Jiangxi Insulator and Electricity Co.,Ltd