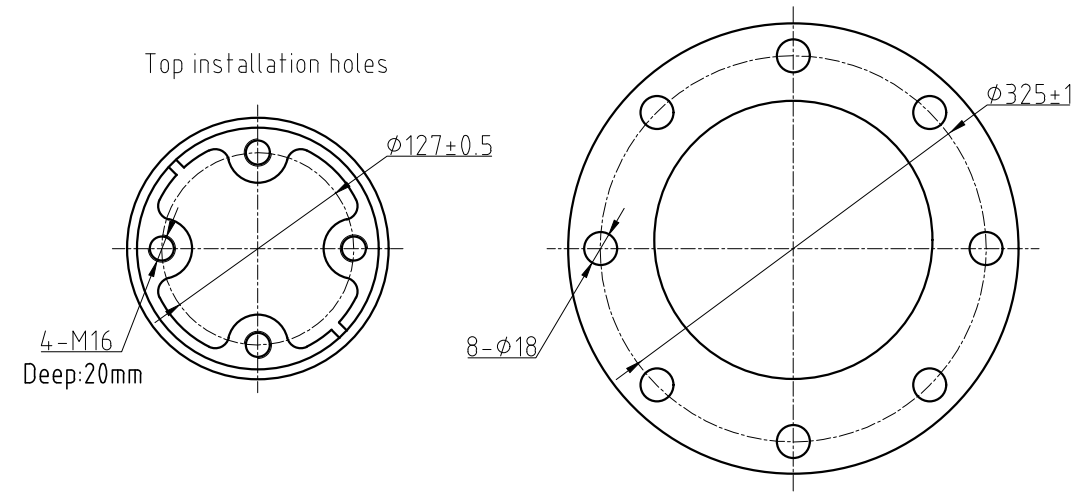


Bottom installation holes

Top installation holes



TECHNICAL REQUIREMENTS:

ELECTRICAL PROPERTIES

Impulse Withstand Voltage	kV	1550
Wet s.i. withstand voltage	kV	1050
Wet p.f. withstand voltage	kV	630

PHYSICAL PROPERTIES

Nominal Creepage Distance	mm	10500
Net Weight	kg	382
Colour		Grey

MECHANICAL PROPERTIES

Torsion Strength	kN-m	8
Cantilever Strength	kN	12.5
Reference standard		IEC60168&60273

					Anti Pollution-type outdoor solid-core post insulator	C12.5-1550-10500		
Mark	Several	Document No.	Sign	Date		phase sign	weight	scale
DRAWN	马成良	APPROVE			Assembly drawing	S	A	B
CHECKED	王辉	DATE	2022.02.17			TN: 1	SN:1	
REVIEW	牛峻磊	ISSUE	I			Sinoma Jiangxi Insulator and Electricity Co.,Ltd		