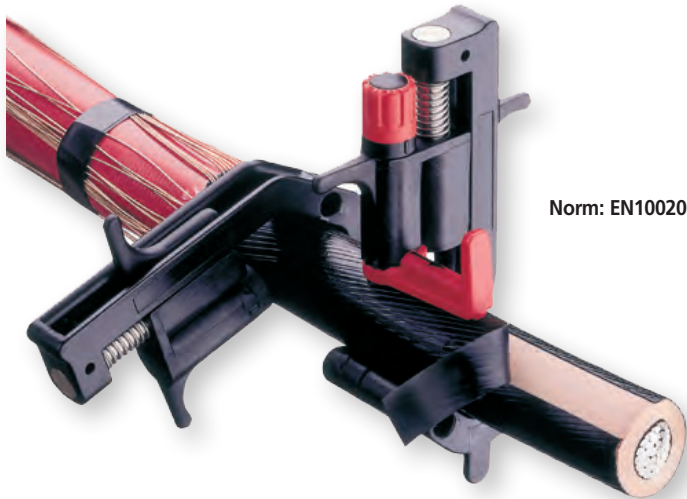


STRIPPING TOOLS FOR SEMICONDUCTOR



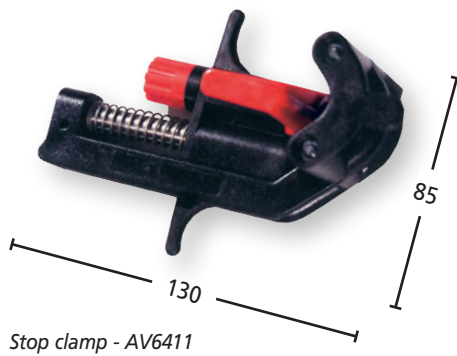
Norm: EN10020

HLS – Cable Stripper for Non-Vulcanized Semiconductive Layer

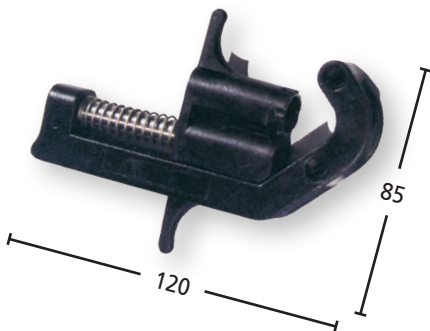
APPLICATION RANGE	∅ 16 - 41 mm
INSULATION THICKNESS	0 - 2 mm
SUGGESTED APPLICATION	Non vulcanized, peelable semiconductive layer

Technical Characteristics:

- To strip the non-vulcanized semiconductive layer of MV cables
- Longitudinal, helical and circular cuts
- Positioned on the cable like a vice system
- Stop clamp to limit the stripping length
- Step-by-step depth adjustment
- Max. rotating diameter 130 mm
- The positioning of the stripper and holding of stops-clamp is assured by the pressure of the spring
- The incision depth can be adjusted from 0 to 0,9 mm with 0,1 mm trips each by turning the corresponding knob
- The start of longitudinal incision can be done in exact correspondence with the circumferential one



Stop clamp - AV6411



Cable stripper - AV6410



- REDUCED ROTATION ENABLES TO WORK ON LIMITED SPACE
- PERFECT PRECISE CIRCULAR CUT
- NO INCISIONS ON SURFACE BELOW



HLS-Set – AV6400

Description	Order No.	Dimensions	Weight
Set: HLS	AV6400	250 x 160 x 55 mm	600 g
Spare blade	AV6499	-	-

Attention: not suitable for work under voltage

SET Equipment:

- HLS - cable stripper AV6410
- Stop clamp AV6411
- Tube of silicone grease AG1013
- Rigid plastic case AB6400