

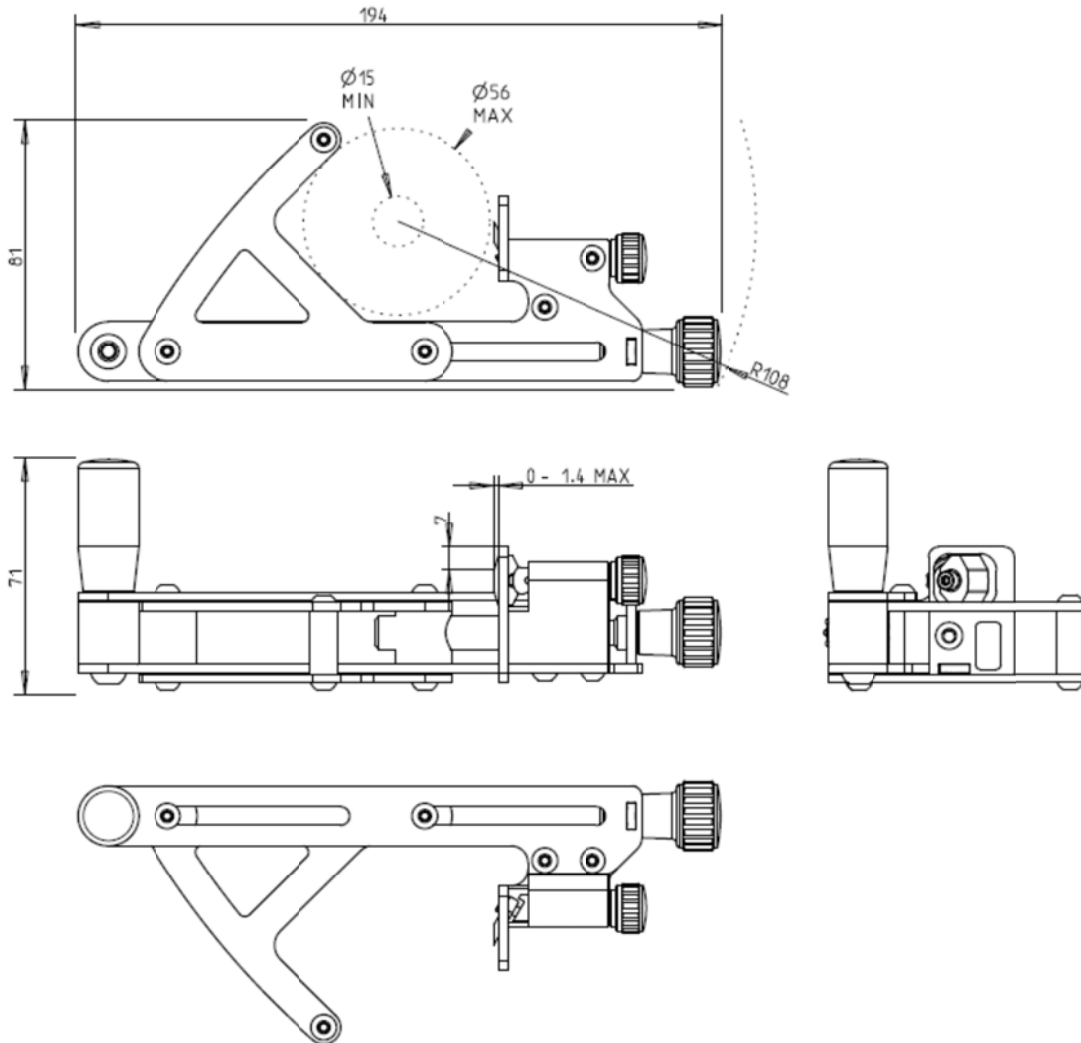
PRODUCT DATA SHEET

Shaver for bonded semi conductive screen FBS-LC

Mod. Nr.: 17220EC

Item Nr.: 109124

Date: 16,23



APPLICATION

For stripping the semi conductive layer with thickness up to 1,4 mm extruded onto the cross wired polyethylene insulation (XLPE) or similar insulations from MV and HV cables having an semi conductive layer- diameter from 15 to 56mm.

MATERIALS

The body of the tool is made from aluminium, stainless steel and brass.
Handles are made from shock-proof black resin (PA) (not containing cadmium or heavy metals).
Blade from hardened steel.

TECHNICAL CHARACTERISTICS:

The set is composed by the tool, allen key SW2,5, instructions for use and case.
The tool allows an easy and safe way of stripping of the semi conductive Layer through simple rotation of the crank.
The positioning on the cable is done through an adjusting spindle which works based on screw clamp principal.
The stripping process can be started from cable end. The axial movement is achieved by a light push to the crank.
For the circular cut simply reduce the push on the crank.
Stripping depth is adjustable from 0mm to 1,4mm with trips of 0,1 mm each, without need of tooling.
Very small rotation diameter of 215mm max.
The blade (55 HRC) can be easily replaced by means of an allen key (SW 2,5).

PRODUCT DATA SHEET

Shaver for bonded semi conductive screen FBS-LC

Mod. Nr.: 17220EC

Item Nr.: 109124

Date: 16,23

LABELING

specific

PACKING AND WEIGHTS

weight:

tool

ca. 490 gr.

allan key SW 2,5

ca. 5 gr.

dimensions:

194 x 81 x 71mm