

# WHITE OBSTAFLASH

The OBSTAFLASH medium intensity is a white flashing obstruction light dedicated to day and night marking of any obstacles.

The OBSTAFLASH is compliant with ICAO medium intensity type A, FAA L865/L866 flashing lights.

The use of white strobe medium intensity during day time eliminates the need to paint the obstacle with aviation red and white stripes.



### Flashhead

- cover and lens 100% hard glass
- not sensitive to high temperature and UV
- aluminium body
- modular design
- easy maintenance
- precise optic
- safety interlock switch
- long life linear flash tube

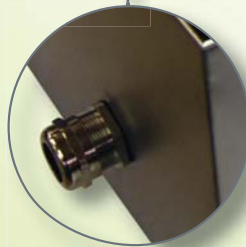


Patent : EP 1966535B1 & US 7816843



### Description

- 2 levels of independent flashing lamps
- 20 000 candelas during daytime and 2000 candelas during the night
- 20 to 60 flashes per minute
- rugged design and modular power supply for easy and low maintenance cost
- safety interlock switch



### Power cabinet

- «weather tight» stainless steel enclosures (in vertical position)
- safety interlock switch
- «plug-in» modular construction with plated contact surfaces,
- synchronization module for more than 1 light

## MAIN CHARACTERISTICS

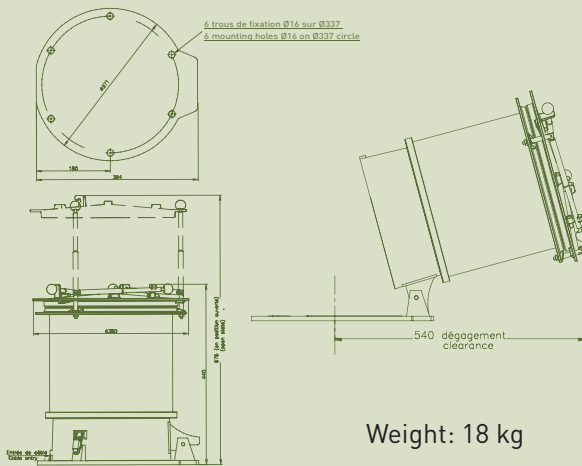
Main characteristics	Luminous output		Color		Beam Spread		Flashes per minute
	Day	Night	Day	Night	Vertical	Horizontal	
White Medium Intensity	20 000 Cd	2000 Cd	White	White	3°	360°	20, 40 or 60

OBSTA part number	Power supply	Power consumption at 40 flashes per minute and 20 000 candelas	Peak V.A.
13810	230 VAC	< 150 W	< 600 VA
13820	24 VDC	< 140 W	< 600 VA

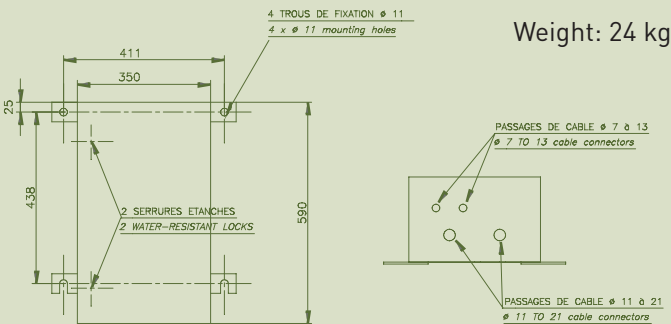
## ADDITIONAL FEATURES

### WEIGHT AND DIMENSIONS (in mm)

#### Flashhead



#### Control cabinet



### SETS COMPOSITION

Obstruction lighting system Medium intensity	Medium Intensity	
	Description	Code
Flashhead Control cabinet Switch	White one per flashhead	13810, 13820
Connecting cable between flashhead and control cabinet	length max. 300 m	13805
Spare flashtube assy	xenon	13840

Other request: please contact us

### OPTIONS

- Master/slave multiple beacon system, by cable or fiber optic for more than 4 lights
- GPS module for synchronization of the flashes and day/night switch

### OTHER FUNCTIONS

- Linear quartz flashtube
- Modular design
- Flashhead and control cabinet separation distance up to 300m (to be specified on the order)

